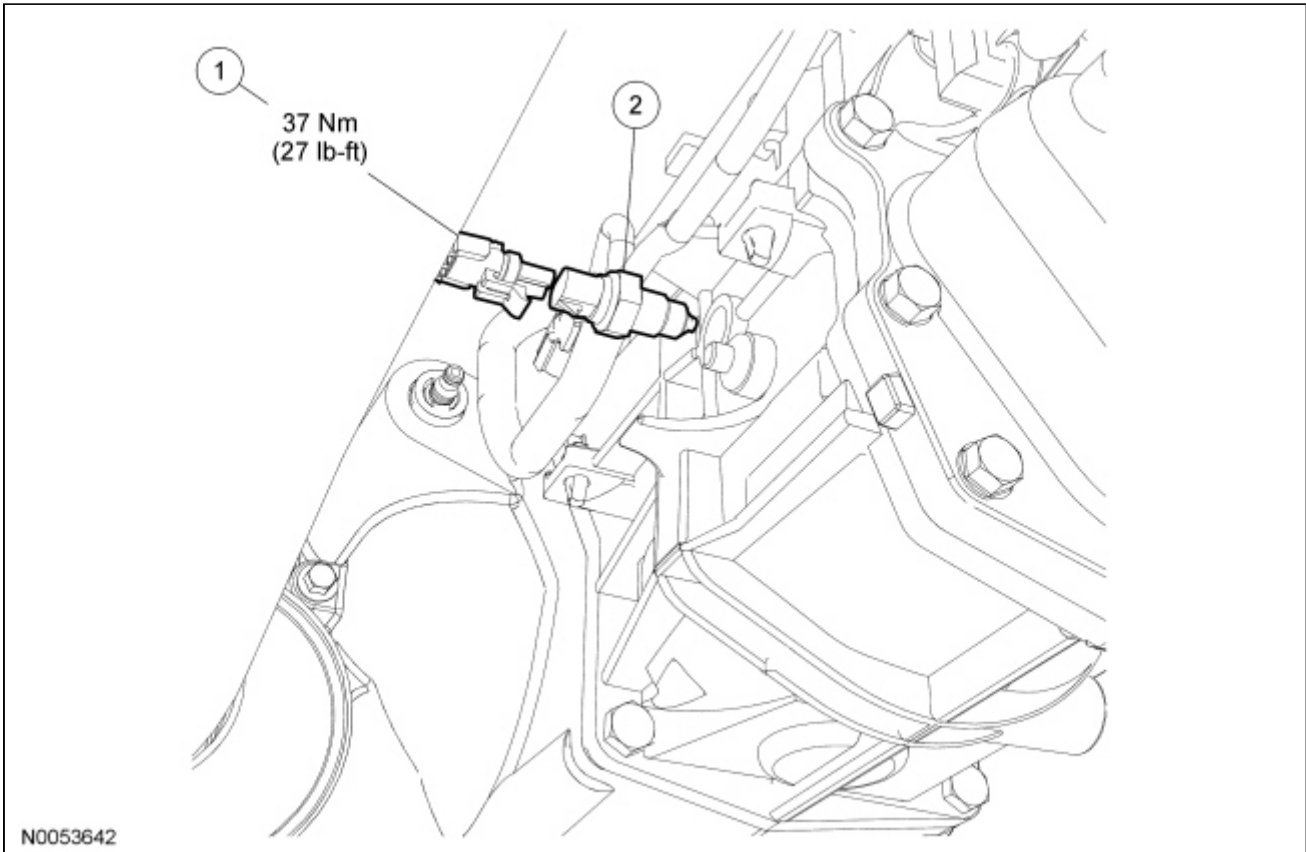


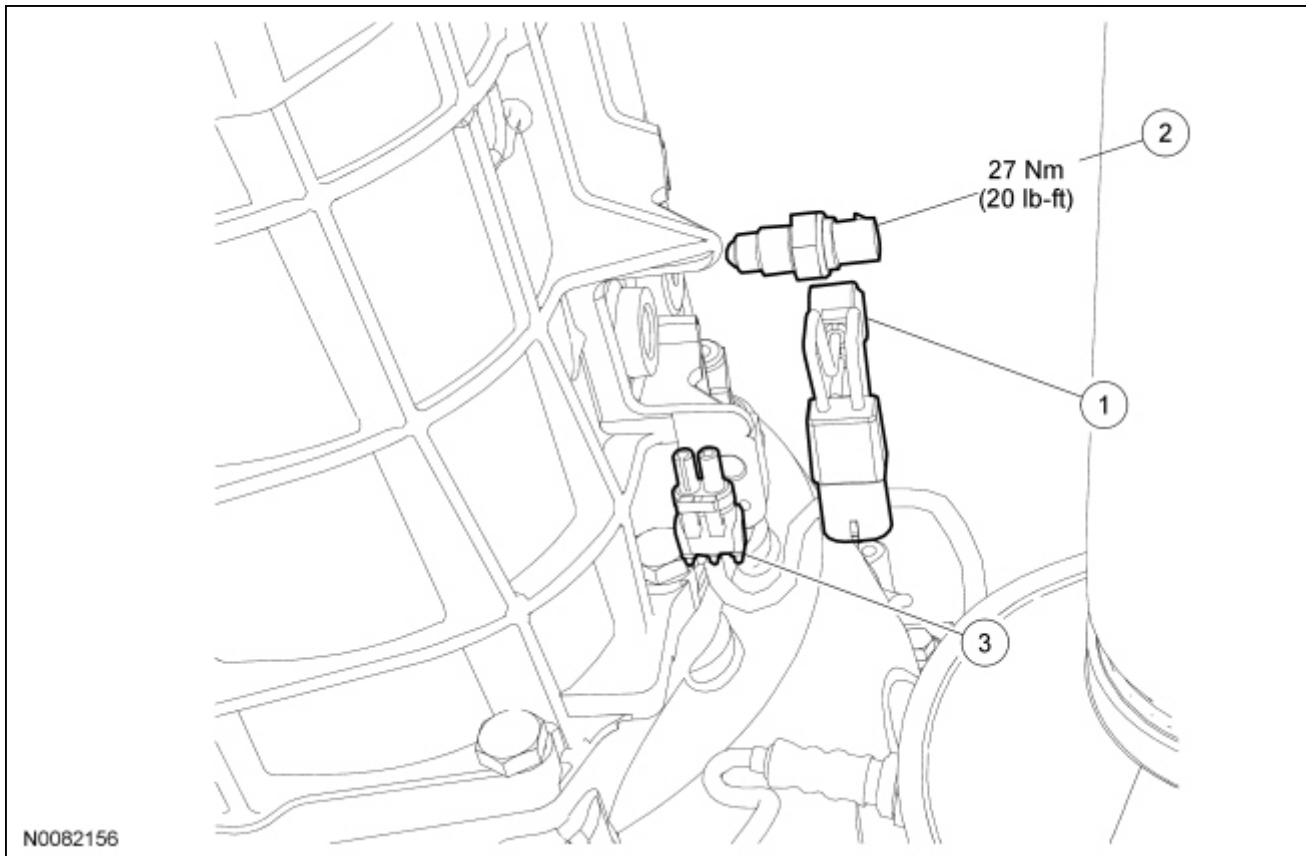
Reversing Lamp Switch

NOTE: T5OD transmission shown, TR3650 transmission similar.



Item	Part Number	Description
1	—	Reversing lamp switch electrical connector (part of 12B637)
2	15520	Reversing lamp switch

TR6060 Transmission



Item	Part Number	Description
1	—	Reversing lamp switch jumper harness
2	15520	Reversing lamp switch
3	—	Reversing lamp switch electrical connector (part of 12B637)

Removal and Installation

1. With the vehicle in NEUTRAL, position it on a hoist. For additional information, refer to [Section 100-02](#).
2. Disconnect the electrical connector and remove the reversing lamp switch.
 - To install, tighten to 37 Nm (27 lb-ft) (T5OD transmission).
 - To install, tighten to 27 Nm (20 lb-ft) (TR3650 or TR6060 transmission).
3. To install, reverse the removal procedure.

